

RCBS®

ROCK CHUCKER SUPREME PRESS



P R O D U C T I N S T R U C T I O N S

SAFETY

Reloading is an enjoyable and rewarding hobby that can be conducted safely. But carelessness or negligence can make reloading hazardous. This product has been designed from the beginning with the user's safety in mind.

When reloading, some safety rules must be followed. By observing these rules, the chance of a hazardous occurrence causing personal injury or property damage is minimized.

GENERAL

- Use all equipment as the manufacturer recommends. Study the instructions carefully and become thoroughly familiar with the operating of the tool. Don't take shortcuts.
- Observe "good housekeeping" in the reloading area. Keep tools and components neat, clean and orderly. Promptly and completely clean up primer and powder spills.
- Reload only when you can give your undivided attention. Do not reload when fatigued or ill. Develop a reloading routine to avoid mistakes. Avoid haste — load at a leisurely pace.
- Always wear adequate eye protection.
- If any unusual resistance is encountered when moving the operating handle, STOP IMMEDIATELY and investigate the cause. To proceed against unusual resistance may damage equipment and/or cause serious personal injury!

LOADING DATA

- Use only laboratory tested reloading data. We highly recommend the use of the SPEER Reloading Manual or RCBS.load reloading software.
- OBSERVE ALL WARNINGS ABOUT THE USE OF MAXIMUM LISTED LOADS.

PRIMERS AND POWDER

- Store primers and powder beyond the reach of children and away from heat, dampness, open flames, and electrical equipment.
- DO NOT use primers of unknown identity.
- Keep primers in original factory container until ready to use. Return unused primers to the same factory packaging for safety and to preserve their identity.
- DO NOT store primers in bulk. The blast of just a few hundred primers is sufficient to cause serious injury to anyone nearby.
- DO NOT force primers. Use care in handling primers.
- DO NOT use any powder unless its identity is positively known. Discard all mixed powders and those of uncertain or unknown identity.
- If you use a powder measure, replace the lids on both the powder hopper and powder can after the powder hopper has been filled.
- Before charging cases, settle the powder in the powder hopper. Load and check the weight of at least ten charges. This will assure you that the correct powder charge is being loaded.
- After a reloading session ends, pour the remaining powder back in its original factory container. This will preserve the identity and shelf life of the powder.
- DO NOT smoke while handling powder or primers.

RECORD KEEPING

- Keep complete record of reloads. Apply a descriptive label to each box showing the date produced, and the primer, powder and bullet used. Labels for this purpose are packed with SPEER bullets.

Since RCBS has no control over the choice of components, the manner in which they are assembled, the use of this press, or the firearms in which the resulting ammunition may be used, no responsibility, either expressed or implied, is assumed for the use of ammunition reloaded with this press.

INTRODUCTION

The Rock Chucker Supreme Press has been designed specifically for heavy-duty reloading, case forming, and bullet swaging. It is engineered to handle the largest and longest magnums down to .17 caliber. The compound leverage system of the Rock Chucker Supreme Press can full-length resize cases with less effort than other presses neck size. Using RCBS Case Forming Dies this press will form .30-06 cases into many other calibers.

By combining the famous RCBS block "O" frame with the compound leverage system, the Rock Chucker Supreme will develop work pressure that would spring other presses out of alignment. To insure alignment under these pressures, the Rock Chucker press frame provides a full four inches of ram-bearing surface to rigidly support the one inch diameter main ram. The compound leverage action is similar to that of a power punch press. As the handle pressure increases, the leverage is compounded, building up a maximum work pressure in the main ram as it travels the full length of the stroke. The toggle block, links and pins are engineered to withstand the punishment of heavy-duty reloading. The handle is made of solid steel and features a comfortable ball-type handle grip. The Rock Chucker Supreme Press has standard 7/8-14 thread for most popular reloading dies and accessories.

ACCESSORIES

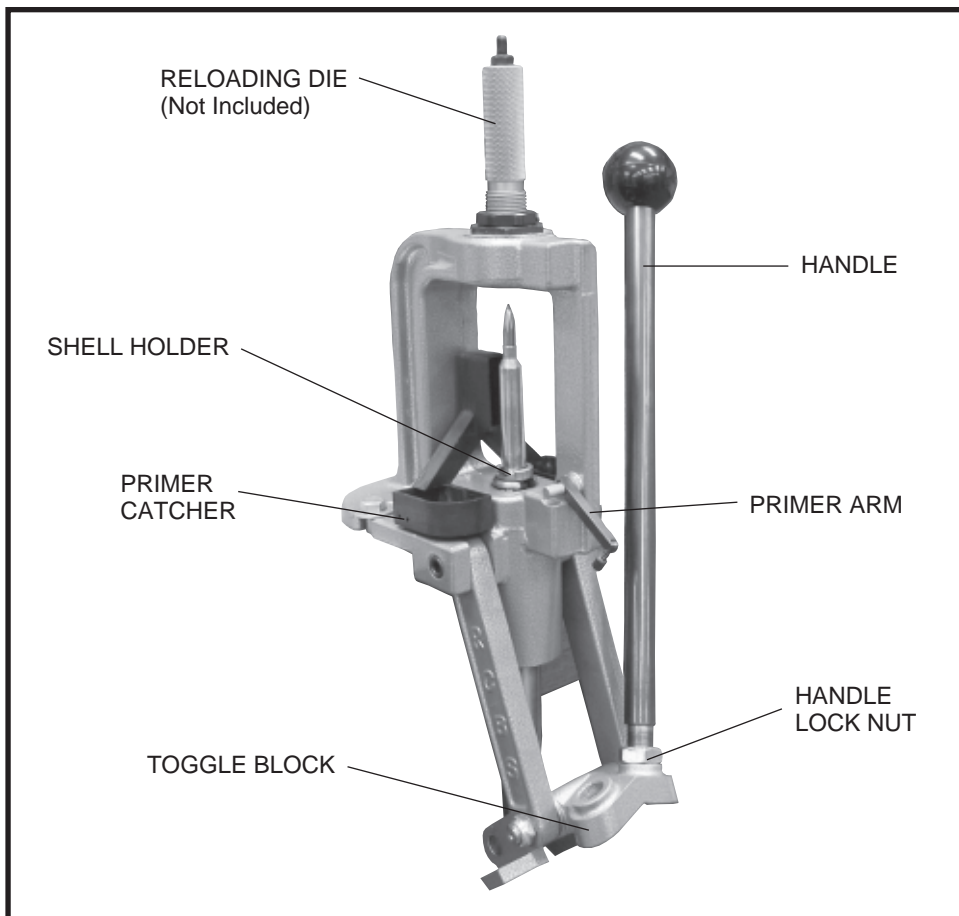
The Rock Chucker Supreme Press is designed to utilize a primer arm. This priming system is equipped with interchangeable primer plugs and sleeves for seating large and small primers.

The Primer Catcher keeps spent primers from dropping to the floor and is easily removed for emptying.

UNPACKING

Unpack the press carefully and look for the items listed below. Refer to the parts list for identification.

- Press
- Handle
- Primer Catcher
- Accessory Pack: Contains handle nut, Primer Arm, large and small primer plugs and sleeves, coil spring



INSTALLATION

Mount the Rock Chucker Supreme Press to a sturdy workbench or table with two 3/8" bolts of sufficient length to penetrate the press base and bench.

Attach the handle nut to handle. Install the threaded portion of the handle to either the right or left side of the toggle block and lock down with the handle nut. See photo #1. The handle nut must remain tight at all times to avoid damage to the handle and toggle.

Install the Primer Arm as show in photo #2.

Slip the primer catcher between the ram and rear portion of the frame. Snap the feet of the primer catcher into slots on the side of the press frame. See photo #3.

The Rock Chucker Supreme press ram accepts removable type shell holders. To install, insert the shell holder into the ram and twist slightly to the left. To remove, twist slightly to the right. See photo #4.

WARNING

TO AVOID INJURY, READ AND FOLLOW THESE SAFE PRIMING PRACTICES.

DO NOT ATTEMPT TO PRIME MILITARY CARTRIDGE CASES WITH CRIMPED PRIMER POCKETS UNTIL THE CRIMP HAS BEEN REMOVED WITH A COUNTER SINK, A SPECIAL REAMER OR BY SWAGING. PRIMERS SEATED INTO CRIMPED POCKETS ARE SUBJECT TO DEFORMATION WHICH CAN CAUSE MISFIRES AND EVEN DETONATION DURING SEATING WHICH CAN CAUSE SERIOUS PERSONAL INJURY.

DO NOT ATTEMPT TO SEAT PRIMERS AGAINST EXCESSIVE RESISTANCE WHICH MIGHT CAUSE DETONATION AND POSSIBLE SERIOUS PERSONAL INJURY. CHECK TO BE CERTAIN THAT THE CASE WAS NOT PREVIOUSLY PRIMED, THAT THE FIRED PRIMER WAS REMOVED, THAT A PORTION OF THE PRIMER CUP WALL MIGHT STILL BE IN THE PRIMER POCKET AND THAT YOU ARE USING THE CORRECT SIZE PRIMER.

DO NOT MODIFY THE PRIMING SYSTEM IN ANY MANNER OR ATTEMPT TO USE SIMILAR PARTS OR PRIMING SYSTEMS FROM OTHER MANUFACTURER'S. TO DO SO COULD RESULT IN PRIMER DETONATIONS RESULTING IN SERIOUS PERSONAL INJURY.

NEVER SEAT A PRIMER INTO A POWDER CHARGED CASE.

DECAPPING LIVE PRIMERS IS EXTREMELY DANGEROUS AND IS NOT RECOMMENDED.

PRIMING

To use the primer arm, first make sure the correct size primer plug and sleeve are in position. To install the primer plug and sleeve, drop the primer plug through the sleeve. Place the spring on the primer arm body. Thread the plug and sleeve into the primer arm body and tighten the assembly with a small nail or paper clip through the cross hole in the primer plug. Do not over tighten. Check from time to time to be sure the primer plug remains tight.

Insert lubed case into shell holder, lower the press handle to size the case and remove the spent primer. To prime, simply place the correct size primer, anvil side up, into the primer sleeve. See photo #5. Then, gently and slowly raise the press handle. As the case is drawn out of the die, the primer arm will guide into the slot in the ram, the case will be lowered onto the live primer, seating it to the bottom of the primer pocket. See photo #6.

After the primer is seated, lower the press handle enough to allow removal of the case from the shell holder. Be sure not to lower the handle too far or the decapping pin in the die will push the live primer back out. Always inspect the primed case to make certain the primer is properly seated.

The Rock Chucker Supreme does not accept the Auto Primer Feed accessory (9550, 9580).

MAINTENANCE

This press was lubricated at the factory. However, it is necessary to lubricate all moving parts from time to time with gun oil. If rust spots appear, swab lightly with gun oil and wipe dry. Care should be taken not to apply oil where it could come in contact with primer pockets or primers. Oil will deactivate primers. It is a good practice to clean the press prior to lubrication to remove grit and other residue. You will note ease at which the epoxy enamel paint wipes clean. This finish is impervious to oil and is extremely chip and fade resistant.

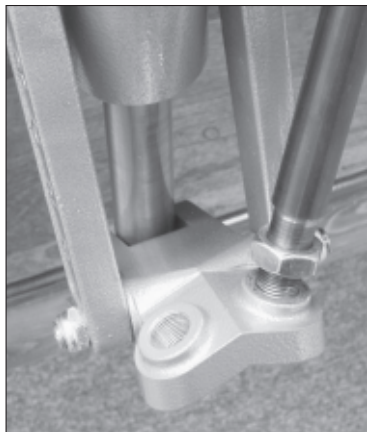


Photo 1



Photo 2



Photo 3

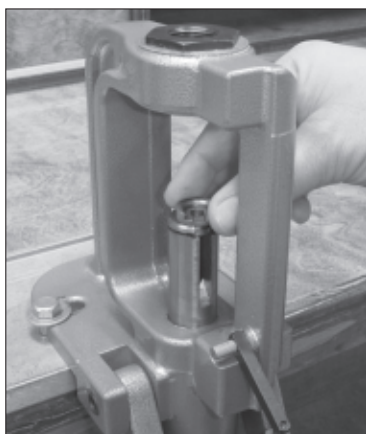


Photo 4



Photo 5

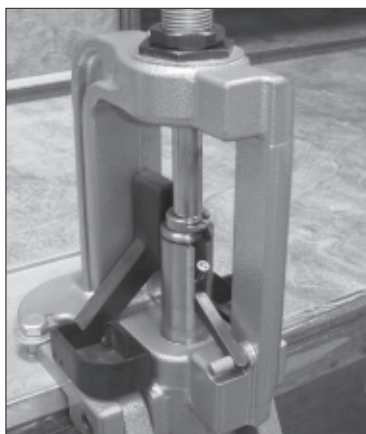
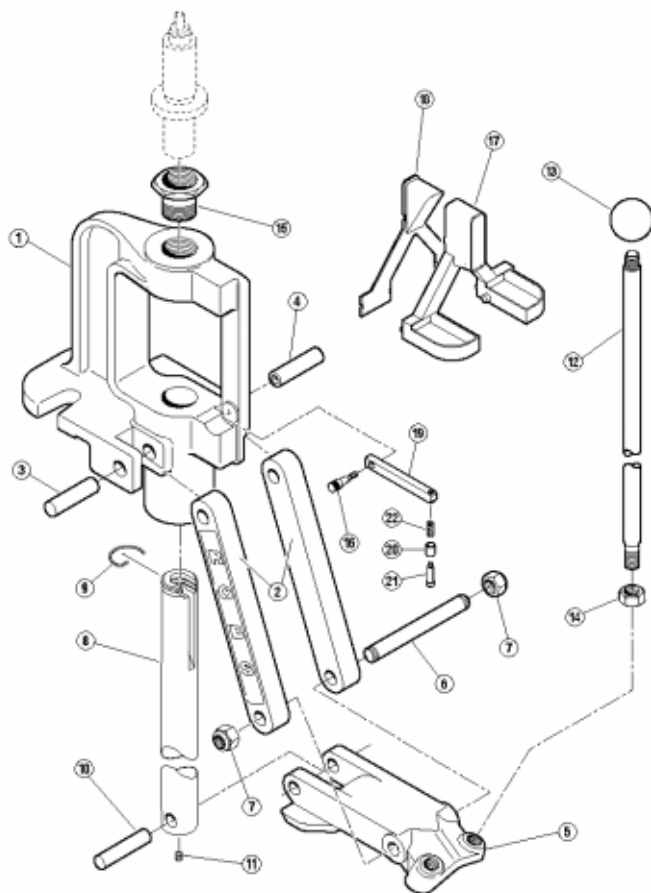


Photo 6

ROCK CHUCKER SUPREME PRESS PARTS LIST



Key	Part#	Description
1	709193	Frame
2	788902	Linkage Arm (2)
3	709127	Link Pin, Left
4	709128	Link Pin, Right
5	709196	Toggle Block
6	709197	Toggle Block Pin
7	187212	7/16-20 Nyloc Nut (2)
8	709194	Ram
9	109112	Ram Clip Spring
10	788255	Ram Pin
11	187219	1/4-28 x 3/8" Setscrew
12	709198	Handle

Key	Part#	Description
13	109121	Handle Ball
14	109136	5/8-18 Hex Jam Nut
15	709138	Press Bushing
16	709195	RC IV Primer Arm Pin
17	109145	Primer Catcher Front
18	109146	Primer Catcher Back
19	788212	Primer Arm
20	709506	Primer Sleeve, LG
20	709507	Primer Sleeve, SM
21	709554	Primer Plug, LG
21	709555	Primer Plug, SM
22	109508	Primer Plug Spring

REFERENCE TABLE

Caliber	Primer		Caliber	Primer	
	Shell Holder Number	Plug & Sleeve Size		Shell Holder Number	Plug & Sleeve Size
17 Remington	10	Small	7.5mm xx 54 French MAS	2	Large
218 Bee	1	Small	7.5mm Schmidt-Rubin	2	Large
22 Hornet	12	Small	7.62 x 39mm .308/.311	32	Large
22 K-Hornet	12	Small	7.62 x 54Rmm Russian .308/.311	13 (5)	Large
22 Remington Jet	6	Small	7.65 x 53mm Belgian Mauser	3	Large
22 Savage High-Power	2	Large	7.7 x 58mm Japanese Arisaka	3/2	Large
22-250 (22 Varminter)	3	Large	32 Automatic (7.65mm Auto)	17	Small
220 Swift	11	Large	32 H&R Magnum	23	Small
221 Remington Fireball	10	Small	32 Smith & Wesson Long	23	Small
222 Remington	10	Small	32 Winchester Special	2	Large
222 Remington Magnum	10	Small	32-20 Winchester	1	Small
223 Remington (5.56mm)	10	Small	32-40 Winchester	2	Large
5.6mm x 50 Rimmed	6	Small	8mm Remington Magnum	4	Large
240 Weatherby Magnum	3	Large	8mm-06	3	Large
243 Winchester	3	Large	8 x 57mm Mauser (8mm Mauser)	3	Large
6mm PPC	32	Small	8 x 68Smm Magnum	34 (5)	Large (2)
6mm Remington (244 Remington)	3	Large	338 Lapua	14/37 (7)	Large
25 Auto (25 ACP)	29 (6)	Small	338 Remington Ultra Magnum	38/4	Large
25-06	3	Large	338 Winchester Magnum	4	Large
25-20 Winchester	1	Small	338-06	3	Large
25-35 Winchester	2	Large	338-378 Weatherby Magnum	14	Large
250 Savage (250-3000 Savage)	3	Large	340 Weatherby Magnum	4	Large
257 Roberts	3/11	Large	348 Winchester	5 (5)	Large
257 Roberts Improved 40 ⁹	3/11	Large	35 Remington	9	Large
257 Weatherby Magnum	4	Large	35 Whelen	3	Large
260 Remington	3	Large	350 Remington Magnum	4	Large
264 Winchester Magnum	4/26	Large	356 TSW	16	Small
6.5mm-06	3	Large	356 Winchester	2	Large
6.5mm x 54 Mannlicher-Schoenauer	9	Large	357 Magnum	6	Small
6.5mm x 55mm Swedish Mauser	2	Large	357 Remington Maximum	6	Small
6.5mm x 57mm Mauser	3	Large	357 SIG	27	Small
6.5mm x 68Smm	34 (5)	Large (2)	358 Winchester	3	Large
270 Weatherby Magnum	4	Large	9mm FAR	16	Small
270 Winchester	3	Large	9mm Luger	16	Small
270 Winchester Short Magnum	43	Large	9mm Makarov	16	Small
280 Remington (7mm Exp. Rem.)	3	Large	9 x 21mm	16	Small
284 Winchester	3	Large	9.3 x 62mm Mauser	3	Large (2)
7mm Bench Rest Remington	3	Small	9.3 x 74Rmm	4	Large
7mm Remington Magnum	4/26	Large	375 H&H Magnum	4	Large
7mm Remington Short Action Ultra Magnum	38/4	Large	375 Remington Ultra Magnum	38/4	Large
7mm Remington Ultra Magnum	38/4	Large	375 Winchester	2	Large
7mm Shooting Times Westerner	4	Large	376 Steyr	42	Large
7mm Thompson/Center Ugaide	10	Small	378 Weatherby Magnum	14 (5)	Large
7mm Weatherby Magnum	4	Large	38 Colt Super Auto	39	Small
7mm Winchester Short Magnum	43	Large	38 Special	6	Small
7mm-08 Remington	3	Large	380 Automatic (ACP)	10	Small
7 x 57mm Mauser (7mm Mauser)	3/11	Large	38-40 Winchester	35 (5)	Large
7 x 64mm Brenneke	3	Large	38-55 Winchester & Ballard	2	Large
7 x 65mm Rimmed	26	Large	40 S&W	27	Small
7-30 Waters	2	Large	40-65 Shiloh Sharps-408"	14 (5)	Large
30 M-1 Carbine	17	Small	400 CorBon	3	Large
30 Luger (7.65mm Luger)	16	Small	405 Winchester	24	Large
30 Mauser (7.63mm Mauser)	16	Small	10mm Auto	27	Large
30 Remington	19	Large	41 Magnum	30	Large
30-06 Springfield	3	Large	416 Remington Magnum	4	Large
30-30 Winchester	2	Large	416 Rigby	37 (5)	Large
30-338 Winchester Magnum	4	Large	44 Magnum	18	Large
30-357 Aet	6	Small	44 Special	18	Large
30-378 Weatherby Magnum	14 (5)	Large	444 Marlin	28	Large
30-40 Krag	7	Large	44-40 Winchester	35 (5)	Large
300 H&H Magnum	4	Large	45 Automatic (45 ACP)	3	Large
300 Remington Short Action Ultra Magnum	38/4	Large	45 Colt	20	Large
300 Remington Ultra Magnum	38/4	Large	45-70 U.S. Government	14 (5)	Large
300 Savage	3	Large	450 Marlin	4	Large
300 Weatherby Magnum	4	Large	454 Casull	20	Small
300 Winchester Magnum	4/26	Large	458 Winchester Magnum	4	Large
300 Winchester Short Magnum	43	Large	460 Weatherby Magnum	14 (5)	Large
303 British	7	Large	475 Linebaugh 1.400"	40 (5)	Large
307 Winchester	2	Large	480 Ruger	40	Large
308 Norma Magnum	4	Large	50 Action Express	33 (5)	Large
308 Winchester	3	Large			

IMPORTANT: If the caliber of dies you require are not listed, it can be special ordered. RCBS Shell Holder numbers do not correspond to those of other manufacturers. When two Shell Holder numbers are listed, the most popular is shown first. It may be necessary to use the alternate, depending on the manufacturer and/or lot of cases being used. The numbers in () in the table indicates the following: (1) Order Shell Holder by caliber. (2) Cases may be Berdan primed. Depriming and priming must be done by hand. If cases were formed from cases having boxer-type primer, use the appropriate Shell Holder for the caliber. (4) Not available. (5) Auto 4x4 Shell Plate not available. (6) Auto 4x4 and Five-Station Shell Plates not available. (7) Use #14 for Lapua brass, #37 for Norma brass.

SHELL HOLDER CHART

Note: RCBS Shell Holder numbers do not correspond to those of other manufacturers.

09201	Number 1:	09204	Number 4:	09213	Number 13:	09228	Number 28:
218 Bee		257 Weatherby Magnum		7.62mm x 54R Russian		444 Marlin	
25-20 Winchester		264 Winchester Magnum ³		09214	Number 14:	09229	Number 29:
32-20 Winchester		270 Weatherby Magnum		30-378 Weatherby Magnum		25 Automatic (25 ACP)	
09202	Number 2:	7mm Remington Magnum ³		338 Lapua		09230	Number 30:
22 Savage High Power		7mm Shooting Times Westerner		338-378 Weatherby Magnum		41 Magnum	
25-35 Winchester		7mm Weatherby Magnum		378 Weatherby Magnum		09231	Number 31:
6.5mm x 55 Swedish Mauser		30-338 Winchester Magnum		40-65 Shiloh-Sharps		50-70 U.S. Government	
7-30 Waters		300 Holland & Holland Magnum		45-70 U.S. Government		09232	Number 32:
30-30 Winchester		300 Weatherby Magnum		460 Weatherby Magnum		6mm PPC	
307 Winchester		300 Winchester Magnum ³		09215	Number 15:	7.62mm x 39	
7.5mmx54 French MAS		308 Norma Magnum		6.5mm x 50 Japanese Arisaka		09233	Number 33:
7.5mmx55 Schmidt-Rubin		8mm Remington Magnum		09216	Number 16:	50 Action Express	
32 Winchester Special		338 Winchester Magnum		30 Luger (7.65mm Luger)		09234	Number 34:
32-40 Winchester		340 Weatherby Magnum		30 Mauser (7.65mm Mauser)		6.5mm x 68S	
356 Winchester		350 Remington Magnum		356 TSW		8mm x 68S Magnum	
375 Winchester		9.3mm x 74 Rimmed		9mm Luger		09235	Number 35:
38-55 Winchester & Ballard		375 Holland & Holland Magnum		9mm Makarov		38-40 Winchester	
09203	Number 3:	416 Remington Magnum		9mm x 21		44-40 Winchester	
22-250 (22 Varminter)		450 Marlin		9mm FAR		09236	Number 36:
240 Weatherby Magnum		458 Winchester Magnum		09217	Number 17:	45 Winchester Magnum	
243 Winchester		09205	Number 5:	30 M1 Carbine		09237	Number 37:
6mm Remington (244 Remington)		348 Winchester		32 Auto (7.65mm Automatic)		416 Rigby	
25-06		09206	Number 6:	09218	Number 18:	09238	Number 38:
250 Savage (250-3000 Savage)		22 Remington Jet		44 Magnum		7mm Remington Short Action	
257 Roberts		5.6mm x 50 Rimmed		44 Special		Ultra Mag	
257 Roberts Improved (40 ⁹) ¹		30-357 AET		09219	Number 19:	7mm Remington Ultra Magnum	
260 Remington		357 Magnum		30 Remington		300 Remington Short Action	
6.5mm-06		357 Remington Maximum		09220	Number 20:	Ultra Mag	
6.5mm x 57		38 Special		45 Colt		338 Remington Ultra Magnum	
270 Winchester		09207	Number 7:	454 Casull		375 Remington Ultra Magnum	
280 Remington (7mm Exp. Rem.)		30-40 Krag		09221	Number 21:	09239	Number 39:
284 Winchester		303 British		303 Savage		38 Colt Super Automatic	
7mm Bench Rest Remington		09208	Number 8:	09222	Number 22:	09240	Number 40:
7mm-08 Remington		45 Auto Rim		11mm Mauser		475 Linebaugh 1.400"	
7mmx57 Mauser (7mm Mauser)		09209	Number 9:	43 Spanish		480 Ruger	
7mmx64 Brenneke		6.5mmx54 Mannlicher-Schoenauer		09223	Number 23:	09241	Number 41:
30-06 Springfield		35 Remington		32 Harrington & Richardson Mag		404 Jeffery	
300 Savage		09210	Number 10:	32 Smith & Wesson Long		09242	Number 42:
308 Winchester		17 Remington		09224	Number 24:	376 Steyr	
7.65mm x 53 Mauser (Belgian)		221 Remington Fire Ball		405 Winchester		09243	Number 43:
7.7mm x 58 Japanese Arisaka		222 Remington		09225	Number 25:	270 Winchester Short Magnum	
8mm-06		222 Remington Magnum		8mm Nambu		7mm Winchester Short Magnum	
8mm x 57 Mauser (8mm Mauser)		223 Remington (5.6mm)		09226	Number 26:	300 Winchester Short Magnum	
338-06		7mm Thompson/Center Ugalde		7mm x 65 Rimmed			
35 Whelen		380 Auto Pistol		09227	Number 27:		
358 Winchester		09211	Number 11:	357 SIG			
9.3mm x 62 Mauser		220 Swift		40 S & W			
400 CorBon		09212	Number 12:	10mm Auto			
45 Automatic (.45 ACP)		22 Hornet					
		22 K-Hornet					

Note: RCBS Shell Holder numbers do not correspond to those of other manufacturers. Important: The boxed numbers shown in the table indicate the following: ¹ Shoulder angle of improved version. ³ Some Browning, DWM Lapua, Norma, RWS and Sako cases require an RCBS #26 Shell Holder.

RCBS®

PRECISIONEERED® RELOADING EQUIPMENT

Customer Service

1-800-533-5000 (US or Canada) or 530-533-5191

Hours: Monday - Thursday, 6:30am - 3:00pm (hours may vary)

e-mail: rcbstech@atk.com • www.rcbs.com

RCBS • 605 Oro Dam Blvd. • Oroville, CA 95965

CCI • SPEER • RCBS

OUTERS • RAMLINE • ORBEX • FEDERAL

7200533/0104